

Distributor Replacement Kits

Universal's HID Distributor kits come pre-packaged with everything you need for ballast replacement or retrofit.

- Core & Coil, capacitor, ignitor (if required), and mounting hardware all in a UPS ready to ship box.
- Color coated leads for wiring ease.
- Kits available with dedicated taps, Quad voltage (120, 208, 240, 277), Multi-5 voltage (120, 208, 240, 277, 480), and 480V with 120V aux tap.



Metal Halide

| Catalog Number | Voltage | Wattage | Diagram |
|-----------------|-----------------|---------|---------|
| M175MLTAC3M500K | 120/208/240/277 | 175 | PC1 |
| M175ML5AC3M500K | Multi-5 | 175 | PC1 |
| M17548TAC3M500K | 480-120 | 175 | PC1 |
| M250MLTAC3M500K | 120/208/240/277 | 250 | PC1 |
| M250ML5AC3M500K | Multi-5 | 250 | PC1 |
| M25048TAC3M500K | 480-120 | 250 | PC1 |
| M250MLTAC4M500K | 120/208/240/277 | 250 | PC2 |
| M250ML5AC4M500K | Multi-5 | 250 | PC2 |
| M25048TAC4M500K | 480-120 | 250 | PC2 |
| M400MLTAC4M500K | 120/208/240/277 | 400 | PC2 |

| Catalog Number | Voltage | Wattage | Diagram |
|------------------|-----------------|---------|---------|
| M400ML5AC4M500K | Multi-5 | 400 | PC2 |
| M40048TAC4M500K | 480-120 | 400 | PC2 |
| M1000MLTAC5M500K | 120/208/240/277 | 1000 | PC3 |
| M1000MLTAC5M500K | 120/208/240/277 | 1000 | PC3 |
| M1000ML5AC5M500K | Multi-5 | 1000 | PC3 |
| M100048TAC5M500K | 480-120 | 1000 | PC3 |
| M1250MLTAC5M500K | 120/208/240/277 | 1250 | PC3 |
| M1500MLTAC5M500K | 120/208/240/277 | 1500 | PC3 |
| M150048TAC5M500K | 480-120 | 1500 | PC3 |

Pulse Start Metal Halide

| Catalog Number | Voltage | Wattage | Diagram |
|------------------|-----------------|---------|---------|
| M35MLTLC3M500K | 120/208/240/277 | 35 | PC1 |
| M50MLTLC3M500K | 120/208/240/277 | 50 | PC1 |
| M70MLTLC3M500K | 120/208/240/277 | 70 | PC1 |
| M70MLTLC3D500K* | 120/208/240/277 | 70 | PC1 |
| M7048TLC3M500K | 480-120 | 70 | PC1 |
| M100MLTLC3M500K | 120/208/240/277 | 10 | PC1 |
| M100MLTLC3D500K* | 120/208/240/277 | 100 | PC1 |
| M10048TLC3M500K | 480-120 | 100 | PC1 |
| M150MLTLC3M500K | 120/208/240/277 | 150 | PC1 |
| M150MLTLC3D500K* | 120/208/240/277 | 150 | PC1 |
| M15048TLC3M500K | 480-120 | 150 | PC1 |
| P175MLTAC3M500K | 120/208/240/277 | 175 | PC1 |

| Catalog Number | Voltage | Wattage | Diagram |
|-----------------|-----------------|---------|---------|
| P175ML5AC3M500K | Multi-5 | 175 | PC1 |
| P175MLTAC4L500K | 120/208/240/277 | 175 | PC2 |
| P17548TAC4L500K | 480-120 | 175 | PC2 |
| P200ML5AC3M500K | Multi-5 | 200 | PC1 |
| P250MLTAC4L500K | 120/208/240/277 | 250 | PC2 |
| P250ML5AC4M500K | Multi-5 | 250 | PC2 |
| P25048TAC4L500K | 480-120 | 250 | PC2 |
| P320MLTAC4O500K | 120/208/240/277 | 320 | PC2 |
| P320ML5AC4M500K | Multi-5 | 320 | PC2 |
| P32048TAC4M500K | 480-120 | 320 | PC2 |
| P32048TAC4L500K | 480-120 | 320 | PC2 |

*Double ended lamps (70W M85, 100W M91, 150W M81)

Pulse Start Metal Halide

| Catalog Number | Voltage | Wattage | Diagram |
|-----------------|-----------------|---------|---------|
| P350MLTAC4M500K | 120/208/240/277 | 350 | PC2 |
| P350ML5AC4M500K | Multi-5 | 350 | PC2 |
| P350ML5AC4L500K | Multi-5 | 350 | PC2 |
| P35048TAC4L500K | 480-120 | 350 | PC2 |
| P400MLTAC4L500K | 120/208/240/277 | 400 | PC2 |
| P400ML5AC4M500K | Multi-5 | 400 | PC2 |
| P40048TAC4M500K | 480-120 | 400 | PC2 |
| P450MLTAC4L500K | 120/208/240/277 | 450 | PC2 |

| Catalog Number | Voltage | Wattage | Diagram |
|------------------|-----------------|---------|---------|
| P450ML5AC4M500K | Multi-5 | 450 | PC2 |
| P45048TAC4M500K | 480-120 | 450 | PC2 |
| P750MLTAC5M500K | 120/208/240/277 | 750 | PC3 |
| P750ML5AC5M500K | Multi-5 | 750 | PC3 |
| P75048TAC5M500K | 480-120 | 750 | PC3 |
| P875MLTAC5M500K | 120/208/240/277 | 875 | PC3 |
| P1000MLTAC5M500K | 120/208/240/277 | 1000 | PC3 |
| P1000ML5AC5M500K | Multi-5 | 1000 | PC3 |

High Pressure Sodium

| Catalog Number | Voltage | Wattage | Diagram |
|-----------------|-----------------|---------|---------|
| S50MLTLC3M500K | 120/208/240/277 | 50 | PC1 |
| S70MLTLC3M500K | 120/208/240/277 | 70 | PC1 |
| S7048TLC3M500K | 480-120 | 70 | PC1 |
| S100MLTLC3M500K | 120/208/240/277 | 100 | PC1 |
| S10048TLC3M500K | 480-120 | 100 | PC1 |
| S150MLTLC3M500K | 120/208/240/277 | 150 | PC1 |
| S15048TLC3M500K | 480-120 | 150 | PC1 |
| S200MLTAC4M500K | 120/208/240/277 | 200 | PC2 |
| S20048TAC4M500K | 480-120 | 200 | PC2 |
| S250ML5AC4M500K | Multi-5 | 250 | PC2 |
| S250MLTAC4M500K | 120/208/240/277 | 250 | PC2 |

| Catalog Number | Voltage | Wattage | Diagram |
|------------------|-----------------|---------|---------|
| S25048TAC4M500K | 480-120 | 250 | PC2 |
| S400ML5AC4M500K | Multi-5 | 400 | PC2 |
| S400MLTAC4M500K | 120/208/240/277 | 400 | PC2 |
| S400ML5AC5M500K | 480-120 | 400 | PC3 |
| S400ML5AC5M500K | Multi-5 | 400 | PC3 |
| S400MLTAC5M500K | 120/208/240/277 | 400 | PC3 |
| S40048TAC5M500K | 480-120 | 400 | PC3 |
| S600MLTAC5M500K | 120/208/240/277 | 600 | PC3 |
| S1000MLTAC5M500K | 120/208/240/277 | 1000 | PC3 |
| S1000ML5AC5M500K | Multi-5 | 1000 | PC3 |
| S100048TAC5M500K | 480-120 | 1000 | PC3 |



F-Can Ballasts

Universal's F-Can ballasts are ideal for indoor applications where quiet operation is essential.

- All components are enclosed in a fluorescent-style ballast and are thermally protected.
- UL and CSA listed.
- Available with 120V/277V taps and 120V/347V taps.

Metal Halide

| Catalog Number | Voltage | Wattage | Overall Length | Case Length | Mount Dim |
|----------------|---------|------------|----------------|-------------|-----------|
| 1110-245SC-TC | 175 | 120 or 277 | 14.32 | 13.19 | 13.75 |
| 1110-564C-TC | 175 | 120 or 347 | 11.75 | 10.55 | 11.10 |
| 1110-246C-TC | 250 | 120 or 277 | 16.75 | 15.57 | 16.13 |
| 1111-246C-TC | 250 | 120 or 277 | 11.75 | 10.55 | 11.10 |
| 1110-566C-TC | 250 | 120 or 347 | 16.65 | 15.55 | 16.10 |
| 1110-247SC-TC | 400 | 120 or 277 | 19.25 | 18.06 | 18.63 |
| 1111-247SC-TC | 400 | 120 or 277 | 14.31 | 13.19 | 13.75 |
| 1110-568C-TC | 400 | 120 or 347 | 19.25 | 18.05 | 18.60 |

Pulse Start Metal Halide

| Catalog Number | Voltage | Wattage | Overall Length | Case Length | Mount Dim |
|----------------|---------|------------|----------------|-------------|-----------|
| 1120-251A-TC | 35/39 | 120 | 9.50 | 8.35 | 8.85 |
| 11210-236C-TC | 50 | 120 or 277 | 11.75 | 10.56 | 11.14 |
| 11210-277C-TC* | 70 | 120 or 277 | 11.75 | 10.56 | 11.14 |
| 11210-506C-TC* | 70 | 120 or 277 | 11.75 | 10.56 | 11.14 |
| 11210-554C-TC | 70 | 120 or 347 | 11.75 | 10.56 | 11.14 |
| 11210-239C-TC | 100 | 120 or 277 | 11.75 | 10.56 | 11.14 |
| 11210-606C-TC | 100 | 120 or 347 | 11.75 | 10.56 | 11.14 |
| 11210-242C-TC* | 150 | 120 or 277 | 14.31 | 13.19 | 13.75 |
| 11210-539C-TC | 150 | 120 or 277 | 14.31 | 13.19 | 13.75 |

*Double ended lamps (70W M85 & 150W M81)

High Pressure Sodium

| Catalog Number | Voltage | Wattage | Overall Length | Case Length | Mount Dim |
|----------------|---------|------------|----------------|-------------|-----------|
| 12210-261C-TC | 35 | 120 or 277 | 11.75 | 10.55 | 11.10 |
| 12210-236C-TC | 50 | 120 or 277 | 11.75 | 10.55 | 11.10 |
| 12210-237C-TC | 70 | 120 or 277 | 11.75 | 10.56 | 11.14 |
| 12210-552C-TC | 70 | 120 or 347 | 11.75 | 10.55 | 11.10 |
| 12210-239C-TC | 100 | 120 or 277 | 11.75 | 10.55 | 11.10 |
| 12210-606C-TC | 100 | 120 or 347 | 11.75 | 10.55 | 11.10 |
| 12210-241C-TC | 150 | 120 or 277 | 14.30 | 13.15 | 13.75 |
| 12210-602C-TC | 150 | 120 or 347 | 14.30 | 13.15 | 13.75 |



Multi-5[®] Uni-Pak The Complete HID Solution

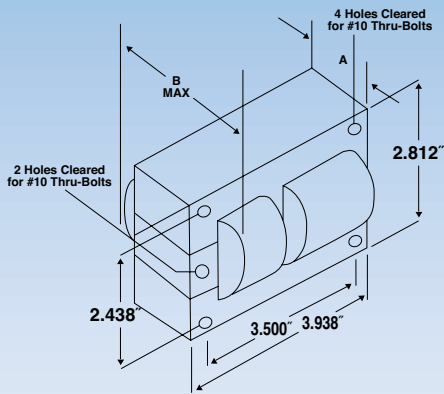
Universal's Multi-5 Uni-Pak ballast and lamp replacement kits offer all the benefits of the distributor kit with the addition of a lamp.

- Includes the ballast, lamp and all components and hardware needed for fast and accurate ballast replacement.

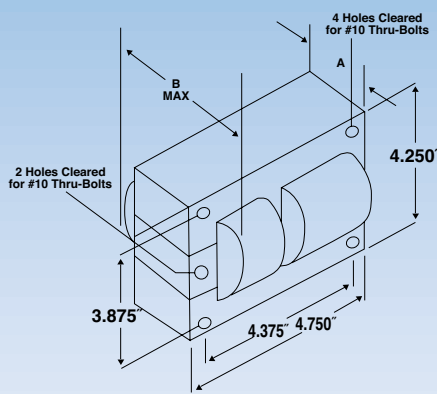
| Catalog Number | Description | Length | Height | Width | Weight |
|------------------|---|--------|--------|-------|--------|
| M175ML5AC3M555K | 175W MH M57 Multi-5™ Ballast & M57 Lamp Kit | 11.5 | 10.0 | 5.0 | 9.0 |
| M250ML5AC3M555K | 250W MH M58 Multi-5™ Ballast & M58 Lamp Kit | 12.1 | 6.8 | 12.1 | 10.7 |
| M250ML5AC4M555K | 250W MH M58 Multi-5™ Ballast & M58 Lamp Kit | 12.1 | 6.8 | 12.1 | 14.1 |
| M400ML5AC4M555K | 400W MH M59 Multi-5™ Ballast & M59 Lamp Kit | 12.6 | 6.6 | 14.0 | 14.7 |
| M1000ML5AC5M555K | 1000W MH M47 Multi-5™ Ballast & M47 Lamp Kit | 18.0 | 17.0 | 8.5 | 25.1 |
| S250ML5AC4M500K | 250W HPS S50 Multi-5™ Ballast & S50 Lamp Kit | 12.1 | 6.8 | 12.1 | 15.0 |
| S400ML5AC4M555K | 400W HPS S51 Multi-5™ Ballast & S51 Lamp Kit | 12.1 | 6.8 | 12.1 | 18.1 |
| S1000ML5AC5M555K | 1000W HPS S52 Multi-5™ Ballast & S52 Lamp Kit | 18.0 | 17.0 | 8.5 | 26.0 |

Reference Diagrams

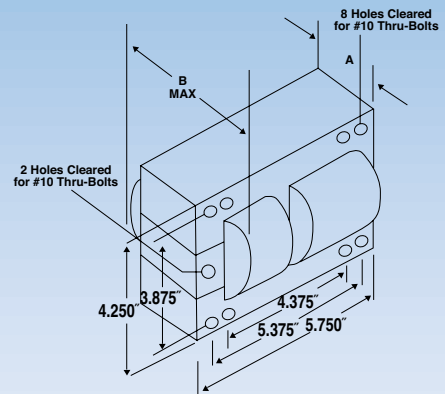
PC1



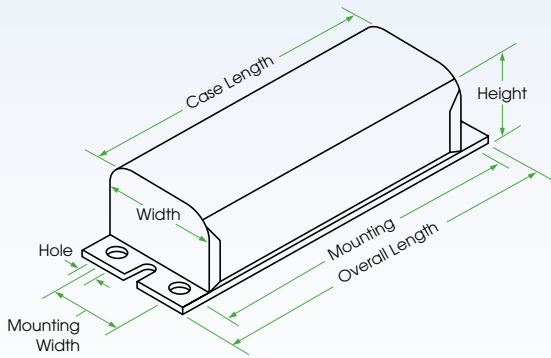
PC2



PC3



F-Can



Lamp Data for Multi-5 Uni-Pak

| Wattage | Description | Bulb | Base | Color | CRI |
|-----------|-------------|------|-------|-------|-----|
| 175W MH | MVR175/U | ED28 | Mogul | 4000 | 65 |
| 250W MH | MVR250/U | ED28 | Mogul | 4200 | 65 |
| 400W MH | MVR400/U | ED37 | Mogul | 4000 | 65 |
| 1000W MH | MVR1000/U | BT56 | Mogul | 4000 | 65 |
| 250W HPS | LU250 | ED18 | Mogul | 2100 | 22 |
| 400W HPS | LU400 | ED18 | Mogul | 2100 | 22 |
| 1000W HPS | LU1000 | E25 | Mogul | 2100 | 22 |

IT'S EASY TO REACH



Universal Lighting Technologies, Inc.
26 Century Blvd., Suite 500
Nashville, TN 37214-3683

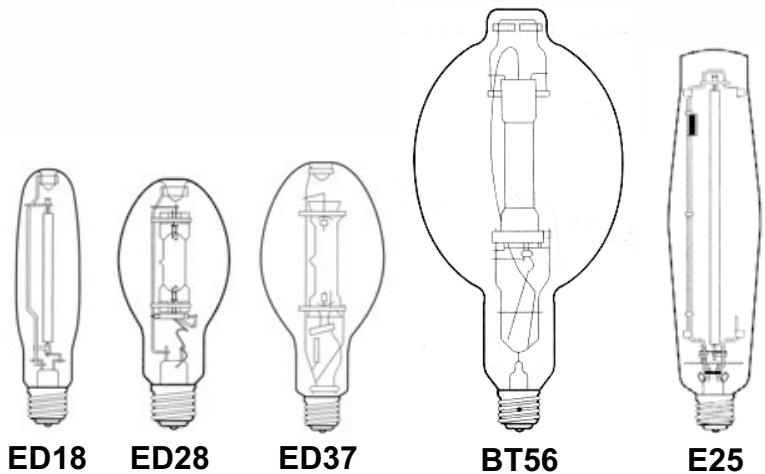


General Info: (615) 316-5100
For Technical Engineering Services (TES), application support and warranty information, call 1-800-BALLAST



Website: www.unvlt.com
Email: webmaster@unvlt.com

LIT#ESBHID0910



ED18

ED28

ED37

BT56

E25

