

# P32027TAFXM

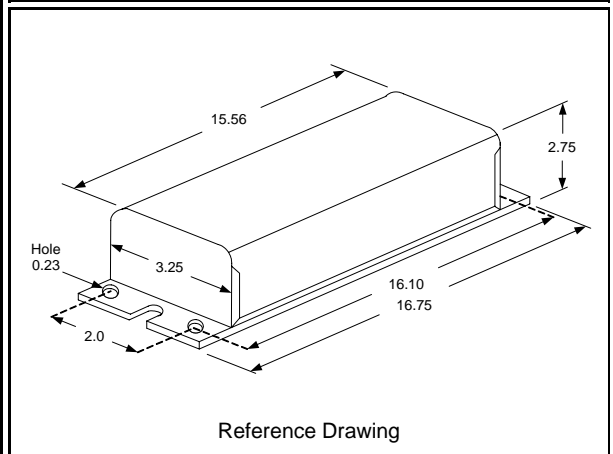
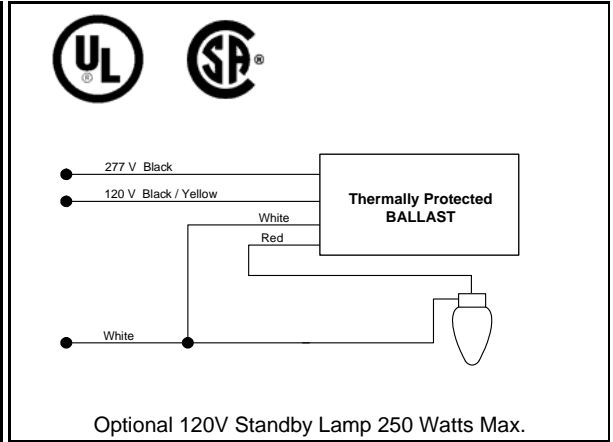
## 320W M132 / M154

### Pulse Start Metal Halide

### 60Hz CWA

## Specification Sheet

<b>Input Volts</b>	120	277			
<b>Regulation</b>					
Line Volts	±10%	±10%			
Lamp Watts	±10%	±10%			
Power Factor (min)	90%	90%			
Input Watts	368 W	368 W			
NOM. Open Circuit Voltage	310 V	310 V			
<b>Line Current (Amps)</b>					
Operating	3.5	1.5			
Open Circuit	3.0	1.30			
Starting	3.0	1.30			
Recommended Fuse (Amps)	10	4			
Lamp Dropout Voltage (Line)	65 V	150 V			
<b>Ratings</b>					
Insulation Class	A (105°C)	A (105°C)			
Sound Rating	B	B			
MIN. Starting Temperature	-22°F -30°C	-22°F -30°C			
<b>CAPACITOR Specifications</b>					
Microfarads	-	-			
Volts (min.)	-	-			
<b>60Hz Test Procedures</b>					
High Potential Test 1 Minute	2000 V	2000 V			
High Potential Test 1 Second	2500 V	2500 V			
Secondary Open Ckt Voltage (V)	280 - 340	280 - 340			
Secondary Current Shorted (A)	3.50 - 4.40	3.50 - 4.40			
Input Operating Current (A)	2.90 - 3.80	1.25 - 1.65			
Input Open Circuit Current (A)	1.45 - 4.25	0.65 - 1.85			
Input Short Circuit Current (A)	3.30 - 6.20	1.50 - 2.90			
<b>Physical Characteristics</b>					
Weight	19.00 lbs	19.00 lbs			
Lead Lengths (inches)	12-14	12-14			
Coil Material (Pri. / Sec.):	Cu / Cu	Cu / Cu			



**Capacitor: Internal**      **Ignitor: Internal**

BTL: 10 ft

High Voltage Pulses are present at open circuit

Insulate unused input lead with proper electrical insulation

Anchor bracket / tab provided for splice box SB-4 (not included)

Document #:	010-10610-01
Date:	11/19/2008
Status:	Production
Replaces Catalog #:	New Design

Data is based upon tests performed by Universal Lighting Technologies in a controlled environment and is representative of relative performance. Actual performance may vary depending on operating conditions. Specifications are subject to change without notice.