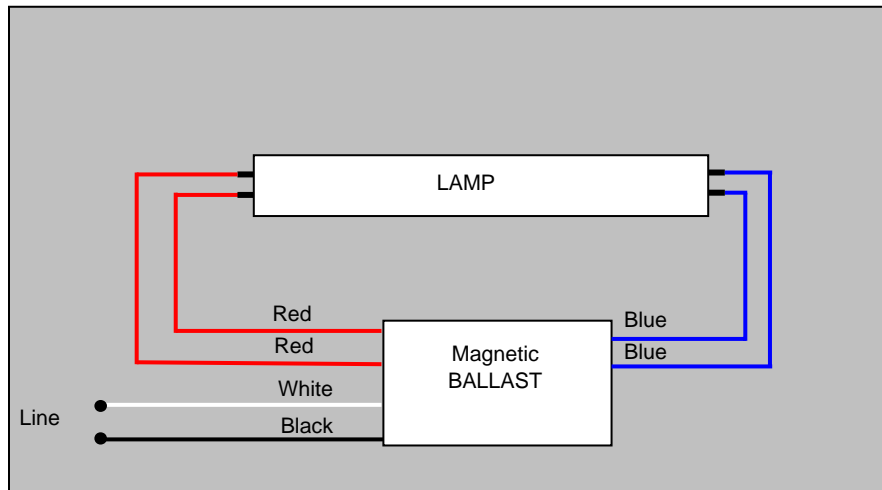
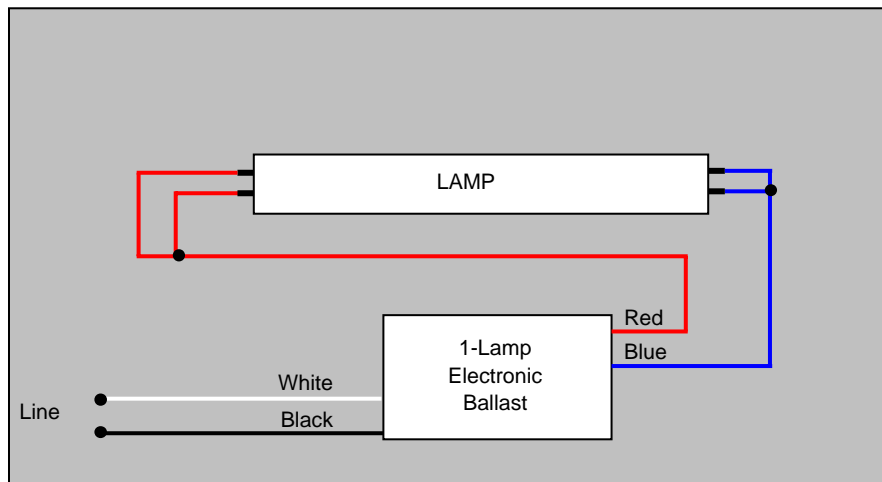


1-Lamp Rapid Start to 1-Lamp Electronic Instant Start

1-Lamp Rapid Start Wiring



Electronic (Instant Start) Wiring



Notes:

- This is applicable for 1-lamp T12 rapid start to a 1-lamp electronic T8 system.
- Disconnect power to lighting fixture prior to servicing the fixture.