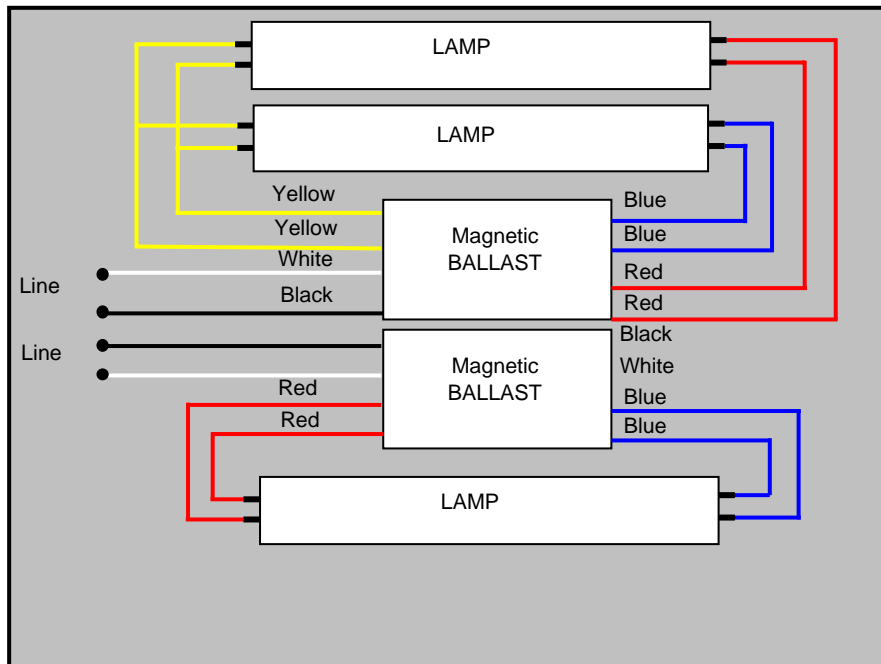
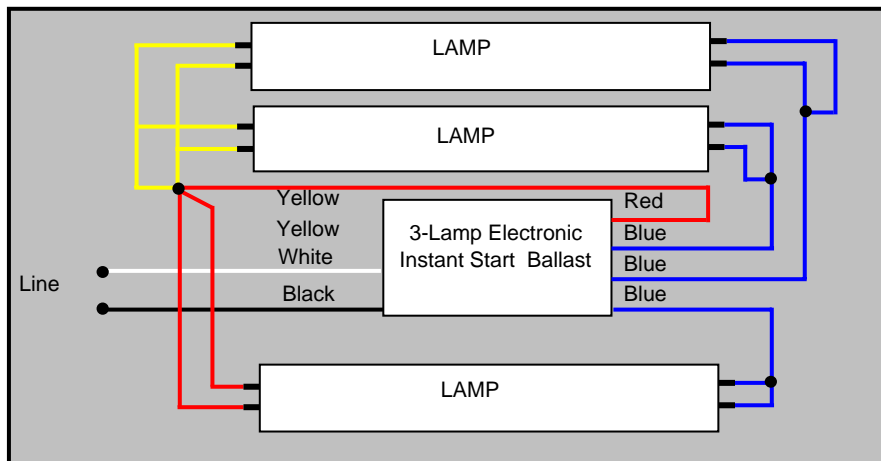


3-Lamp Rapid Start to 3-Lamp Electronic Instant Start

3-Lamp/2-Ballast Rapid Start Wiring



3-Lamp Electronic (Instant Start) Wiring



Notes:

- This is applicable for 3-lamp T12 rapid start fixture with a 2-Lamp and a 1-lamp ballast to retrofit to one 3-lamp electronic T8 instant start system.
- Disconnect power to lighting fixture prior to servicing the fixture.