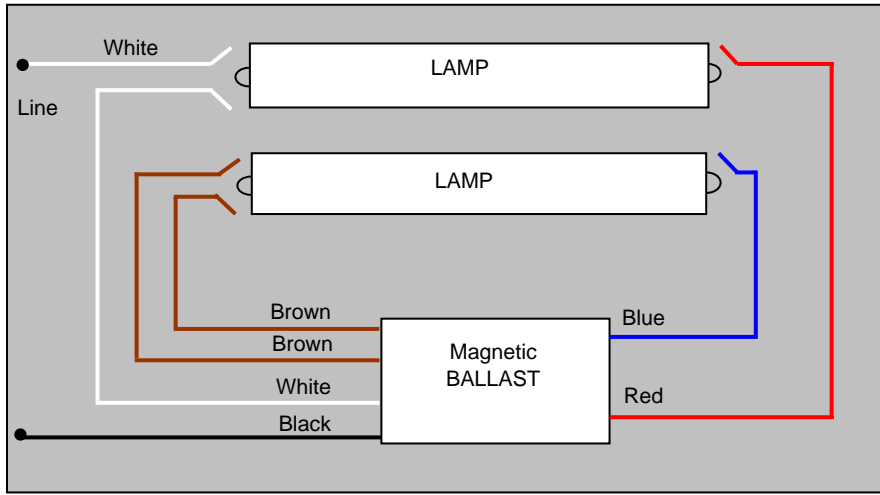
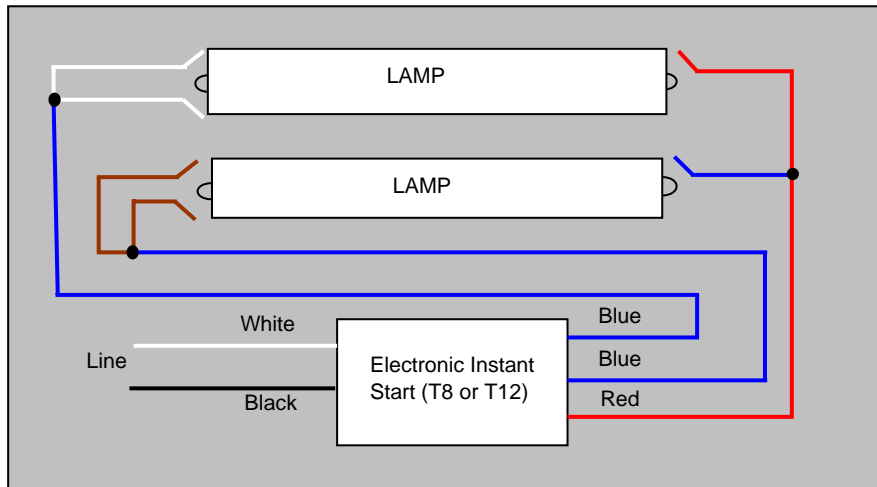


***277V Magnetic Slimline to Electronic Instant Start***

**277V Magnetic Slimline (Instant Start) Wiring**



**Electronic (Instant Start) Wiring**



**Notes:**

- This is applicable for 277 volt magnetic T12 to either electronic T12 or electronic T8 systems.
- Disconnect power to lighting fixture prior to servicing the fixture.